

COLD-HOT WELL

INNOVATION

Temperature from **-5°** to **+140° C**
continuously adjustable via display

IN COUNTER VARIANTS

- plug-in ready
- remote cooling system

Function

Cold-Hot Well for keeping dishes cold or warm at temperatures ranging from -5° to +140° C (at an ambient temperature of +24° C)

Sizes

GN1/1 425 x 630 mm GN2/1 770 x 630 mm
GN3/1 1110 x 630 mm GN4/1 1450 x 630 mm

Well

- made of 1.5 mm stainless steel in hygiene 2 finish
- dry, warp-free, heatable
- Standard depth 105 mm
- Special depths on request in hygiene 1 finish

Variants

plug-in ready
connected to a remote cooling system

Power Requirements

230 V – 50/60 Hz

GN1/1 900 W GN2/1 1500 W
GN3/1 2700 W GN4/1 3000 W

Refrigerant

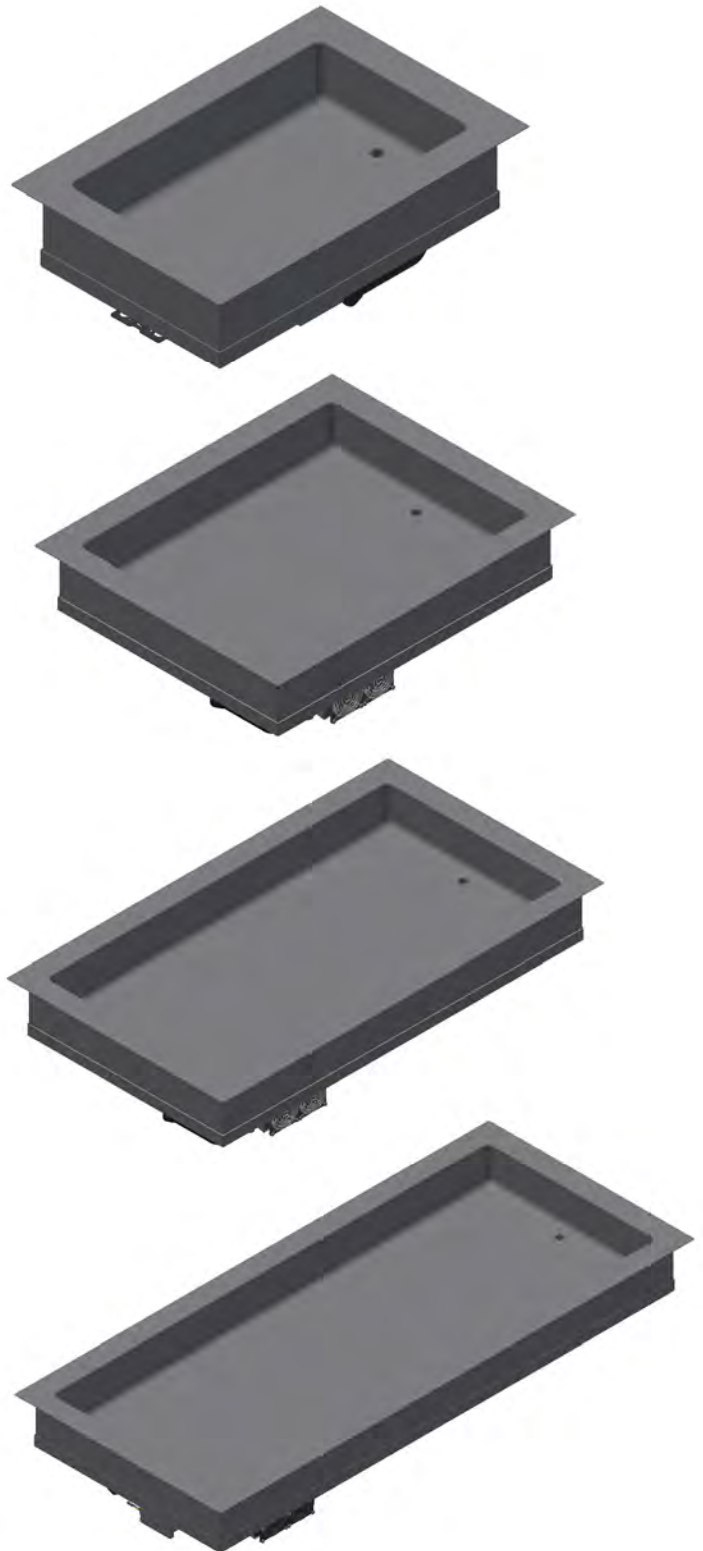
plug-in R600a
remote cooling system R134a / R404a / R507a

Scope of Delivery

Controller incl. 1.2 m cable
Supply line 1.6 m with Schuko plug

Important Information

Regarding installation, maintenance and care can be found in the user manual (e.g. supply and exhaust air)



COLD-HOT MULTI WELL

INNOVATION

Temperature from **-5°** to **+140° C**
continuously adjustable via display

IN COUNTER VARIANTS

- plug-in ready
- remote cooling system

Function

Cold-Hot Wells for keeping dishes cold or warm at temperatures ranging from -5° to +140° C (at an ambient temperature of +24° C)

The temperature of the single wells can be adjusted separately via the controllers

Sizes

2x GN1/1 790 x 630 mm
3x GN1/1 1155 x 630 mm

Well

- made of 1.5 mm stainless steel in hygiene 2 finish
- dry, warp-free, heatable
- Standard depth 105 mm

Variants

plug-in ready
connected to a remote cooling system

Power Requirements

230 V – 50/60 Hz

2x GN1/1 1800 W
3x GN1/1 2700 W

Refrigerant

plug-in R600a
remote cooling system R134a / R404a / R507a

Scope of Delivery


2 or 3 pieces of controllers incl. 1.2 m cable
Supply line 1.6 m with Schuko plug

Important Information

Regarding installation, maintenance and care can be found in the user manual (e.g. supply and exhaust air)



Version A23  

in Bearbeitung 

COLD-HOT WELL

INNOVATION

Temperature from **-5°** to **+140° C**
continuously adjustable via display

ON COUNTER MODELS

Function

Cold-Hot Well for keeping dishes cold or warm at temperatures ranging from -5° to +140° C (at an ambient temperature of +24° C)

New Design 2021

- Stable stainless steel body with rounded feather edges
- Uniform design for all on counter wells
- Improved design thanks to supply and exhaust air from below
- Supply line from below, therefore the supply line can be routed to each side of the device

Sizes (Metal Body)

Height = 275 mm
GN1/1 410 x 615 mm

Well

- made of 1.5 mm stainless steel in hygiene 2 finish
- dry, warp-free, heatable
- Standard depth 105 mm

Models

Grounded stainless steel body or powder coated in RAL9005 black or RAL9010 white

Well surface is brushed in stainless steel

Power Requirements

230 V – 50/60 Hz

GN1/1 900 W

Refrigerant

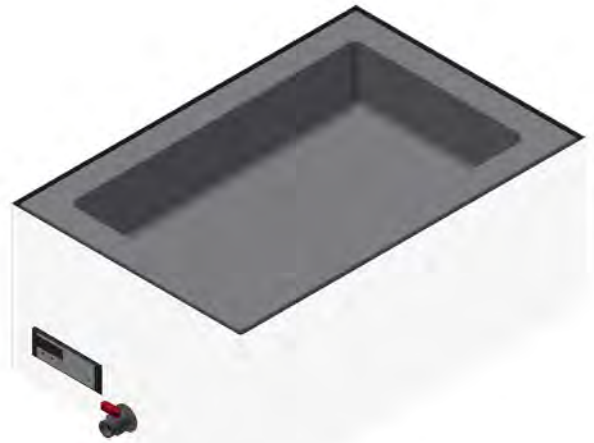
R600a

Scope of Delivery

Supply line 2 m
with Schuko plug and rubber plug

Important Information

Regarding installation, maintenance and care can be found in the user manual



WOODLINE COLD-HOT WELL

**HOELLER
WOOD LINE**

Temperature from **-5°** to **+140° C**
continuously adjustable via display

ON COUNTER MODELS

Function

Cold-Hot Well for keeping dishes cold or warm at temperatures ranging from -5° to +140° C (at an ambient temperature of +24° C)

New Design 2021

- Uniform design for all on counter wells
- Corner connection of the wooden body with finger prongs
- Improved design thanks to supply and exhaust air from below
- Supply line from below, therefore the supply line can be routed to each side of the device

Sizes

Height = 275 mm GN1/1 440 x 645 mm

Well

- made of 1.5 mm stainless steel in hygiene 2 finish
- dry, warp-free, heatable
- Standard depth 105 mm

Models

Standard is solid oak – natural lacquered, other wood types on request

Power Requirements

230 V – 50/60 Hz

GN1/1 900 W

Refrigerant

R600a

Scope of Delivery

Supply line 2 m
with Schuko plug and rubber plug

Important Information

Regarding installation, maintenance and care can be found in the user manual



Version A23  

in Bearbeitung 