

COLD WELL

INNOVATION

Temperature from **-5°** to **+15° C**
continuously adjustable via display

IN COUNTER VARIANTS

- plug-in ready
- remote cooling system

Function

Cold Well for keeping dishes cold at temperatures ranging from -5° to +15° C (at an ambient temperature of +24° C)

Sizes

GN1/1 425 x 630 mm GN2/1 770 x 630 mm
GN3/1 1110 x 630 mm GN4/1 1450 x 630 mm

Well

- made of 1.5 mm stainless steel in hygiene 2 finish
- dry, warp-free, heatable
- Standard depth 105 mm
- Special depths on request in hygiene 1 finish

Variants

plug-in ready
connected to a remote cooling system

Power Requirements

230 V – 50/60 Hz

GN1/1 100 W GN2/1 100 W
GN3/1 100 W GN4/1 100 W

Refrigerant

plug-in R600a
remote cooling system R134a / R404a / R507a

Scope of Delivery


Controller incl. 1.2 m cable
Supply line 1.6 m with Schuko plug

Important Information

Regarding installation, maintenance and care can be found in the user manual (e.g. supply and exhaust air)



Version A23  

in Bearbeitung 

COLD MULTI WELL

INNOVATION

Temperature from **-5°** to **+15° C**
continuously adjustable via display

IN COUNTER VARIANTS

- plug-in ready
- remote cooling system

Function

Cold Wells for keeping dishes cold at temperatures ranging from -5° to +15° C (at an ambient temperature of +24° C)

The temperature of the single wells can be adjusted separately via the controllers

Sizes

2x GN1/1 790 x 630 mm
3x GN1/1 1155 x 630 mm

Well

- made of 1.5 mm stainless steel in hygiene 2 finish
- dry, warp-free, heatable
- Standard depth 105 mm

Variants

plug-in ready
connected to a remote cooling system

Power Requirements

230 V – 50/60 Hz

2x GN1/1 1800 W
3x GN1/1 2700 W

Refrigerant

plug-in R600a
remote cooling system R134a / R404a / R507a

Scope of Delivery


2 or 3 pieces of controllers incl. 1.2 m cable
Supply line 1.6 m with Schuko plug

Important Information

Regarding installation, maintenance and care can be found in the user manual (e.g. supply and exhaust air)



Version A23  

in Bearbeitung 

COLD WELL

INNOVATION

Temperature from **-5°** to **+15° C**
continuously adjustable via display

ON COUNTER MODELS

Function

Cold Well for keeping dishes cold at temperatures ranging from -5° to +15° C (at an ambient temperature of +24° C)

New Design 2021

- Stable stainless steel body with rounded feather edges
- Uniform design for all on counter wells
- Improved design thanks to supply and exhaust air from below
- Supply line from below, therefore the supply line can be routed to each side of the device

Sizes (Metal Body)

Height = 275 mm
GN1/1 410 x 615 mm

Well

- made of 1.5 mm stainless steel in hygiene 2 finish
- dry, warp-free, heatable
- Standard depth 105 mm

Models

Grounded stainless steel body or powder coated in RAL9005 black or RAL9010 white

Well surface is brushed in stainless steel

Power Requirements

230 V – 50/60 Hz

GN1/1 900 W

Refrigerant

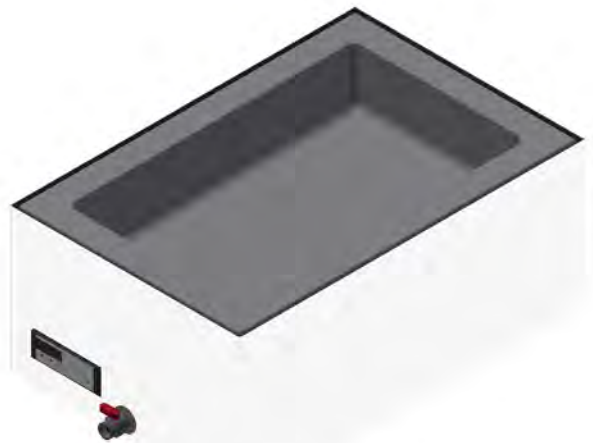
R600a

Scope of Delivery

Supply line 2 m
with Schuko plug and rubber plug

Important Information

Regarding installation, maintenance and care can be found in the user manual



Version A23 CE



in Bearbeitung



WOODLINE COLD WELL

**HOELLER
WOOD LINE**

Temperature from **-5°** to **+15° C**
continuously adjustable via display

ON COUNTER MODELS

Function

Cold Well for keeping dishes cold
at temperatures ranging from -5° to +15° C
(at an ambient temperature of +24° C)

New Design 2021

- Uniform design for all on counter wells
- Corner connection of the wooden body with finger prongs
- Improved design thanks to supply and exhaust air from below
- Supply line from below, therefore the supply line can be routed to each side of the device

Sizes

Height = 275 mm GN1/1 440 x 645 mm

Well

- made of 1.5 mm stainless steel in hygiene 2 finish
- dry, warp-free, heatable
- Standard depth 105 mm

Models

Standard is solid oak – natural lacquered,
other wood types on request

Power Requirements

230 V – 50/60 Hz

GN1/1 900 W

Refrigerant

R600a

Scope of Delivery

Supply line 2 m
with Schuko plug and rubber plug

Important Information

Regarding installation, maintenance and care
can be found in the user manual



Version A23  

in Bearbeitung 