

ICE PLATE

INNOVATION

Cooking with ice, surprise your guests with a new, sensational experience. **-35° C Cold Plate**

IN COUNTER MODELS

Function

Ice Plate for the production of ice rolls
Temperature continuously adjustable to -35°C
(at an ambient temperature of $+30^{\circ}\text{C}$)
Even temperature on the work surface via patented cooling channels

Sizes

Ice Plate 300 = 331 x 531 mm
Installation height = 315 mm
Ice Plate 450 = 481 x 481 mm
Installation height = 300 mm

Well

- 1.5 mm stainless steel
- Standard depth 15 mm
- with 8 mm high rim

Power Requirements

230 V – 50/60 Hz
750 W

Refrigerant

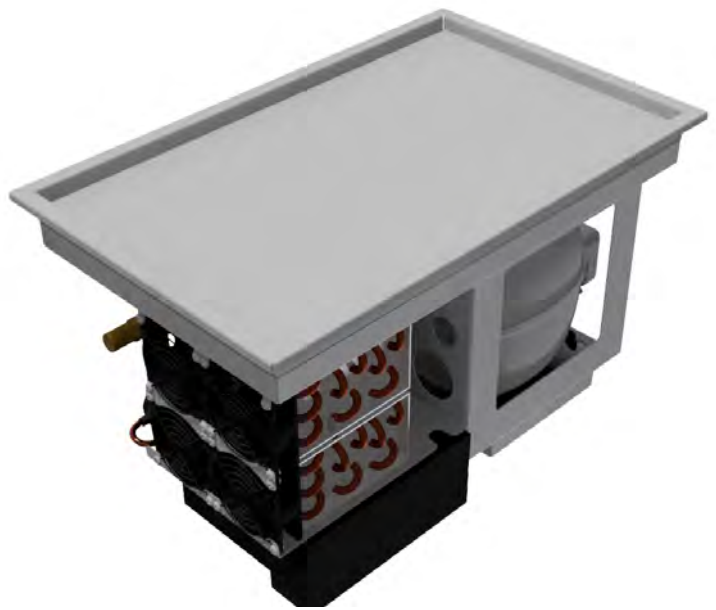
R290

Scope of Delivery

Controller incl. 1.2 m cable
Supply line 1.6 m with Schuko plug

Important Information

Regarding installation, maintenance and care can be found in the user manual (e.g. supply and exhaust air)



Version A23 CE NSF

in Bearbeitung UL

ICE PLATE

INNOVATION

Cooking with ice, surprise your guests with a new, sensational experience. **-35° C Cold Plate**

ON COUNTER MODELS

Features

Ice Plate for the production of ice rolls
Temperature continuously adjustable to -35°C
(at an ambient temperature of $+30^{\circ}\text{C}$)
Even temperature on the work surface via
patented cooling channels

Sizes

Ice Plate 300 = 344 x 543 mm
Height = 330 mm
Ice Plate 450 = 493 x 493 mm
Height = 300 mm

Well

- 1.5 mm stainless steel
- Standard depth 15 mm

Models

Grounded stainless body or
powder coated in RAL9010 white or
RAL 9005 black
"Ice Rolls" lettering with LED lighting

Power Requirements

230 V – 50/60 Hz
750 W

Refrigerant

R290

Scope of Delivery

Supply line 2 m
with Schuko plug and rubber plug

Important Information

Regarding installation, maintenance and care
can be found in the user manual



Version A23  

in Bearbeitung 