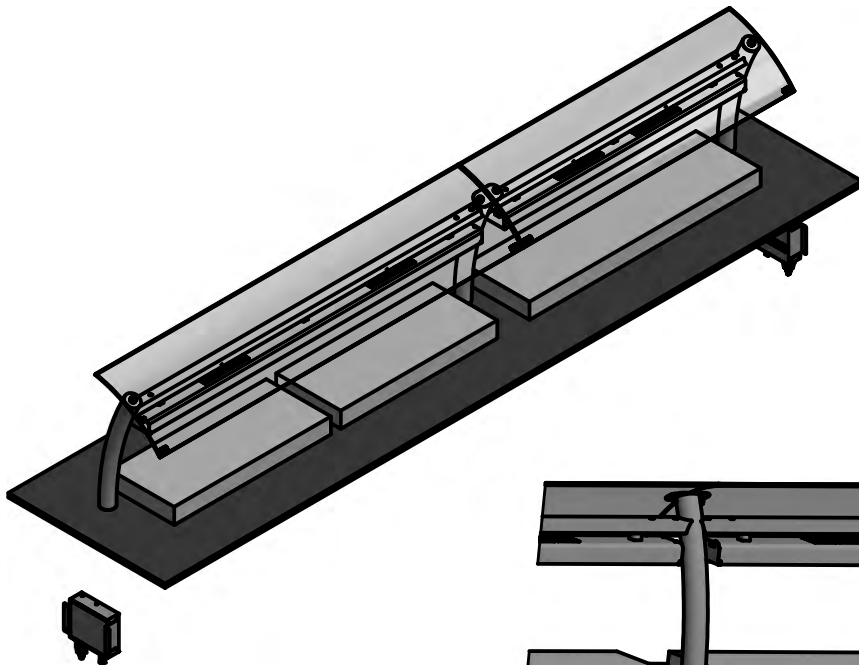
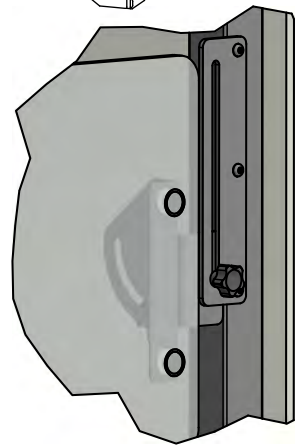
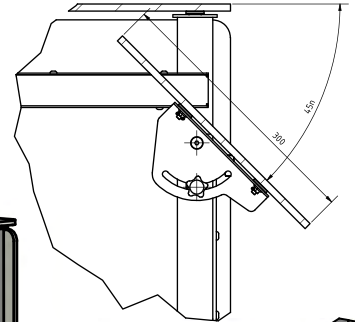
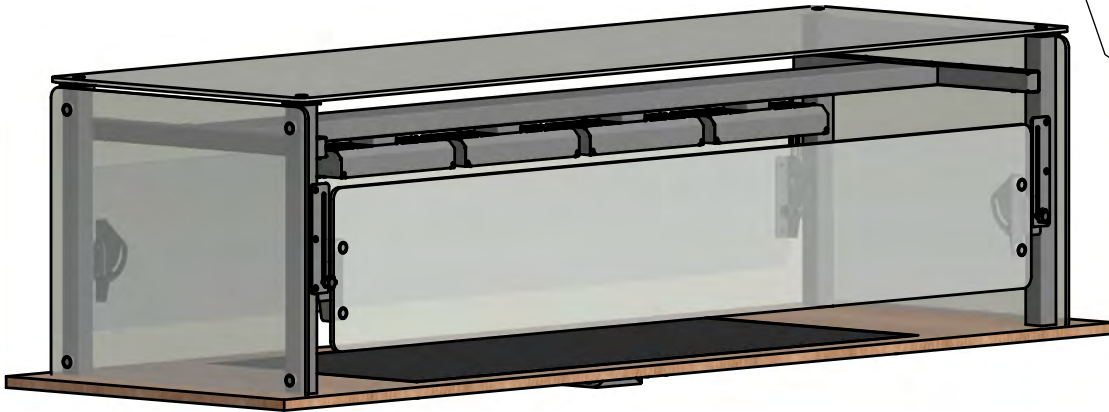


VARIOUS SNEEZE GUARD VARIANTS

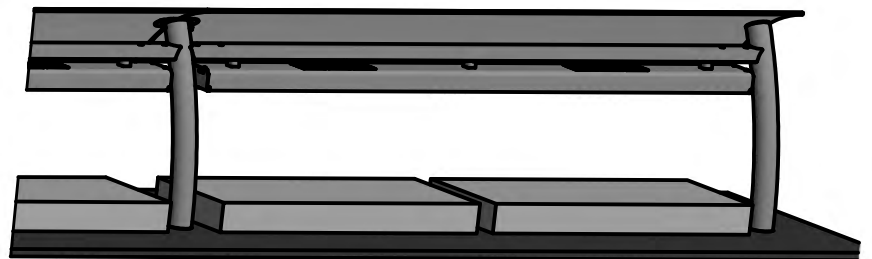
INNOVATION



**Custom Forms - Custom Designs
on Request**

*Back and Front Glass
at will swivelling*



stylish curved column



Version A23  

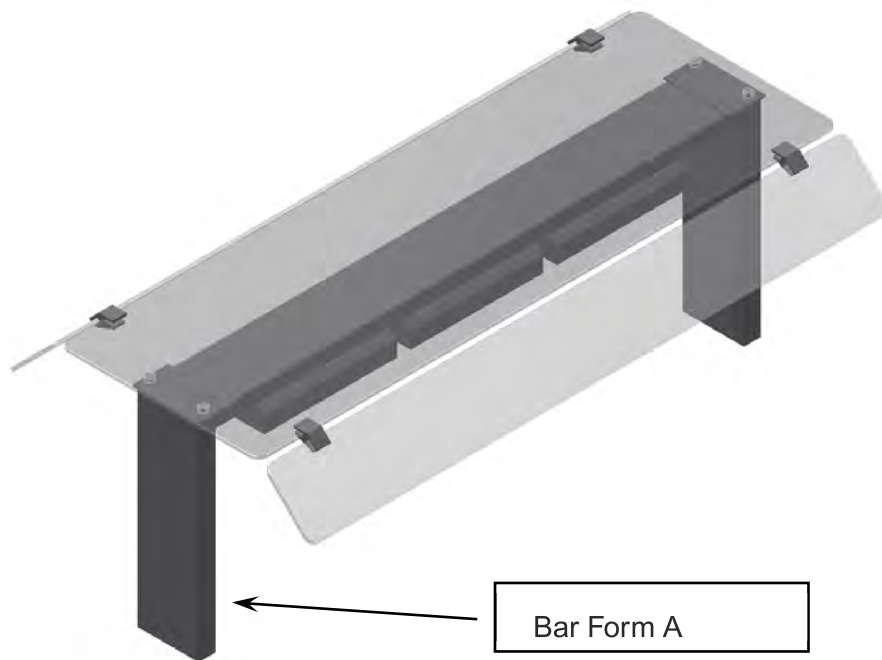
in Bearbeitung 

1 Design of the Bridges

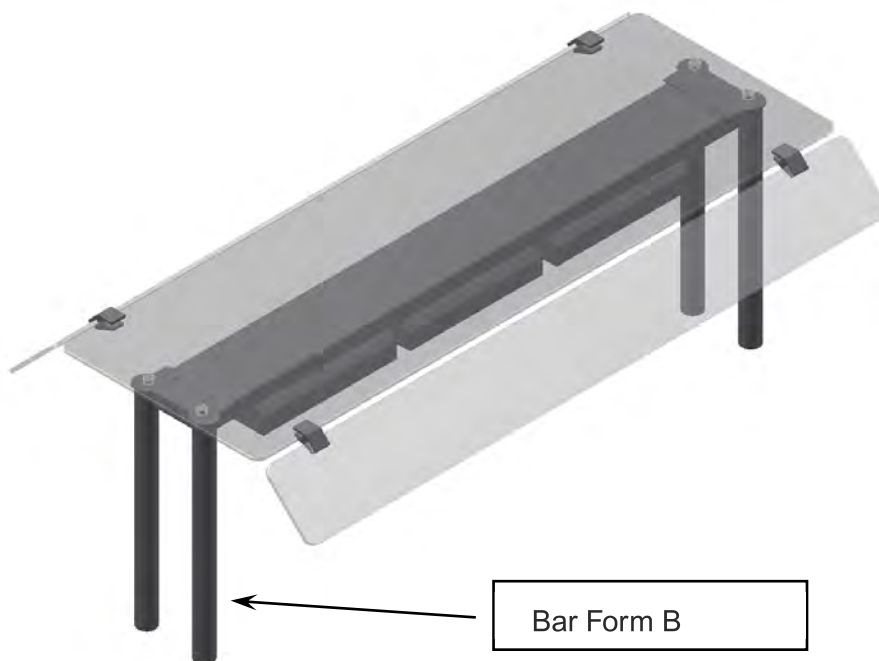
1.1 Design Bars - Choices: Form A, Form B

Two different bar designs are available

- Bar Form A:



- Bar Form B



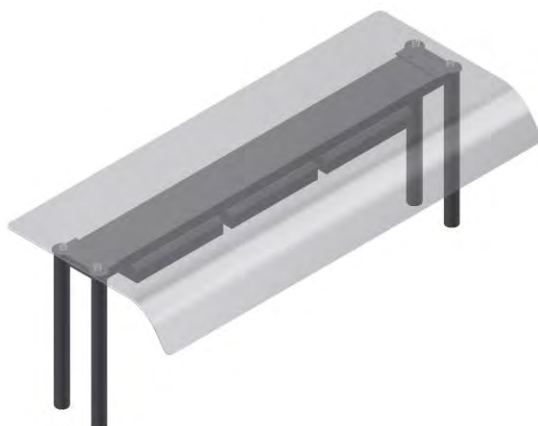
1.2 Design Sneeze Guard - Choices: Form L straight, Form L curved, Form U straight Form U curved, Form I

5 different sneeze guards are available:

- Sneeze Guard Form L straight



- Sneeze Guard Form L curved



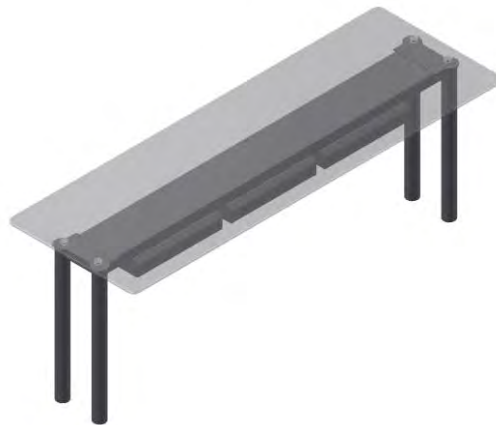
- Sneeze Guard Form U straight



- Sneeze Guard Form U curved



- Sneeze Guard Form I

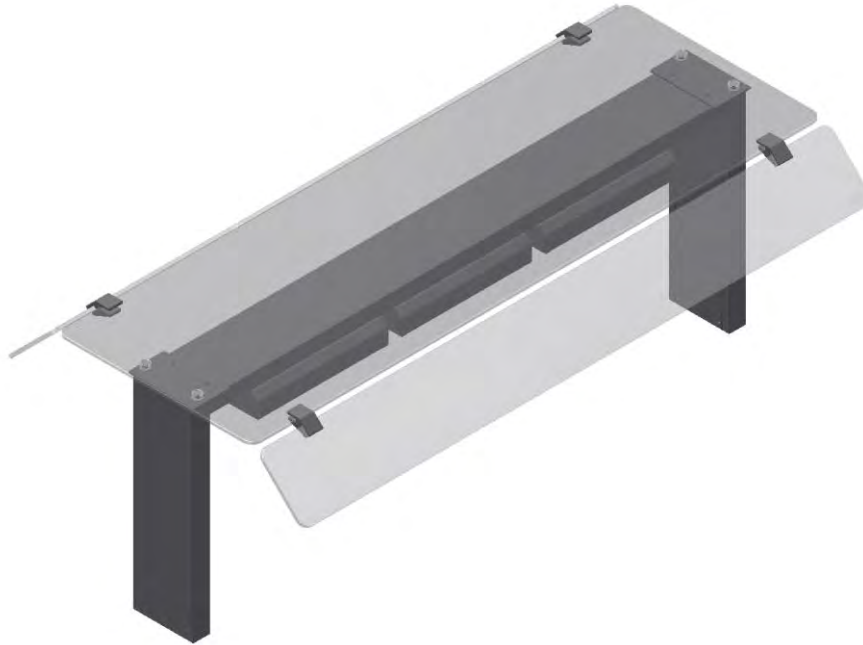


1.3 Type of Bridge - Choice: Light Bridge, Heating Bridge along, Heating Bridge across

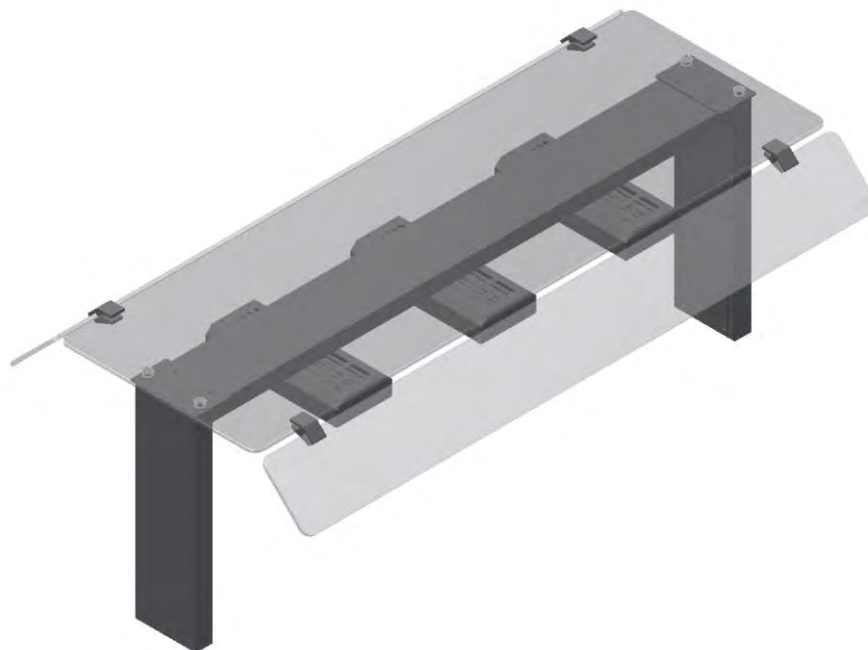
Light Bridge: for the presentation of food with LED



- Heating Bridge along: for keeping food hot and for presenting food with Heating Lamps and LED - Heatin Lamps positioned along.



- Heating Bridge along: for keeping food hot and for presenting food with Heating Lamps and LED - Heatin Lamps positioned across.



2 Dimensions of the Bridge

2.1 Standard - Dimensions

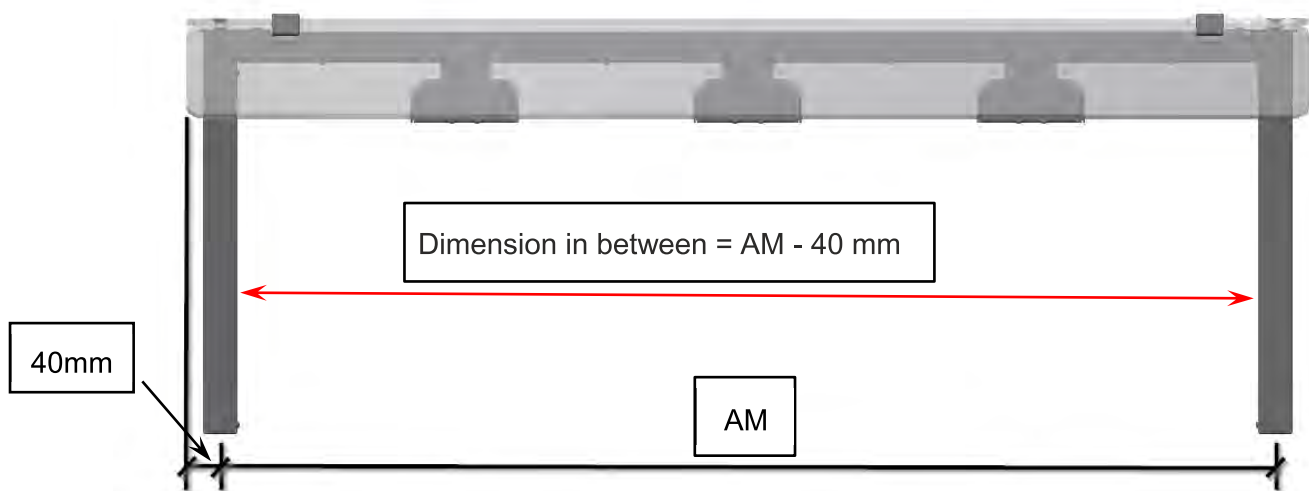
The standard dimensions are ment for the GN norms GN1 to GN4.

Example: A GN3 Heating Bridge fits over a GN3 well.

Height (without Sneeze Guard) = 472 mm

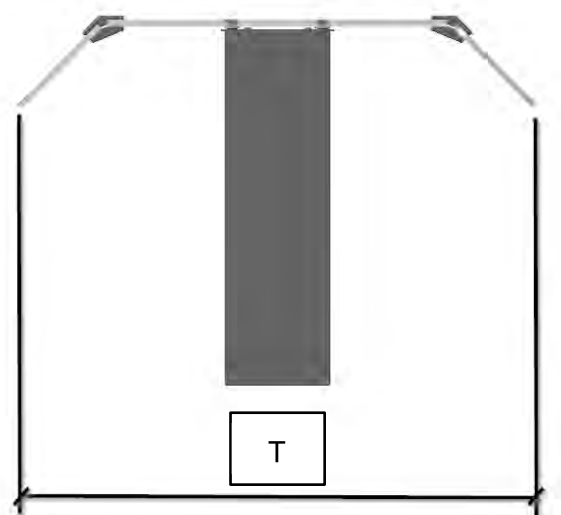
Height (with Sneeze Guard) = 484 mm

Size of Bridge	Dimensions between Axes (AM)
GN1 Bridge:	700 mm
GN2 Bridge:	870 mm
GN3 Bridge:	1230 mm
GN4 Bridge:	1520 mm



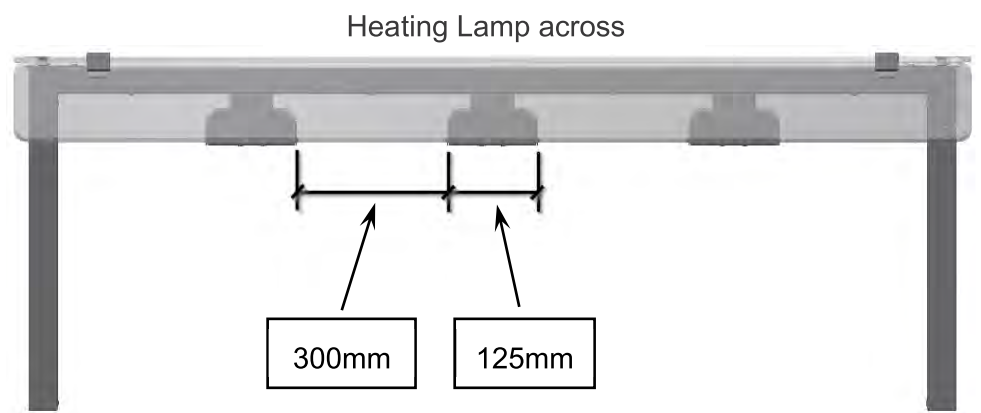
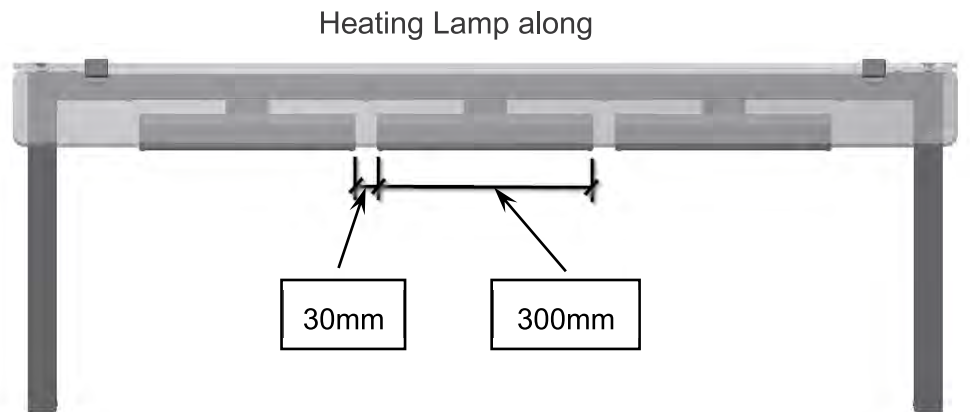
The depth (T) varies, depending on the type of the Sneeze Guard.

Sneeze Guard Design	Depth (T)
Form L straight:	570mm
Form L bend:	570mm
Form U straight:	690mm
Form U bend:	690mm
Form I straight:	450mm



The amount of heating lamps is standardized per standard bridge.

- GN1 = 1 Heating Lamp
- GN2 = 2 Heating Lamps
- GN3 = 3 Heating Lamps
- GN4 = 4 Heating Lamps

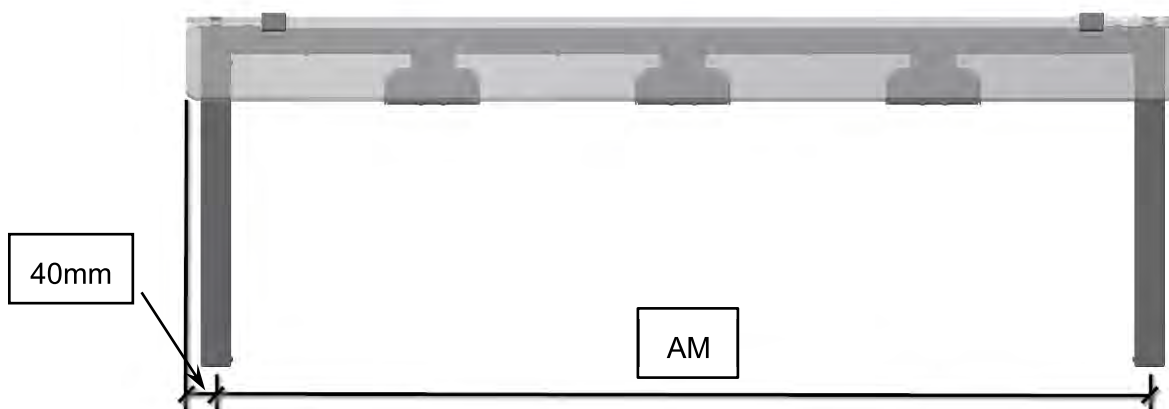


2.2 Custom Sizes

If Custom Sizes are required, a few things have to be taken into consideration. Design-wise please follow 1.1. Regarding the dimensions, the following information is required.

2.2.1 *Width of the Bridges*

The width of the bridge is defined by the dimension between the axes (AM).
The width of the bridge can be fit to the customer's requirements.



Starting at a width of more than 1700 mm, a middle bar is needed. This way, connected „endless-bridges” can be built.

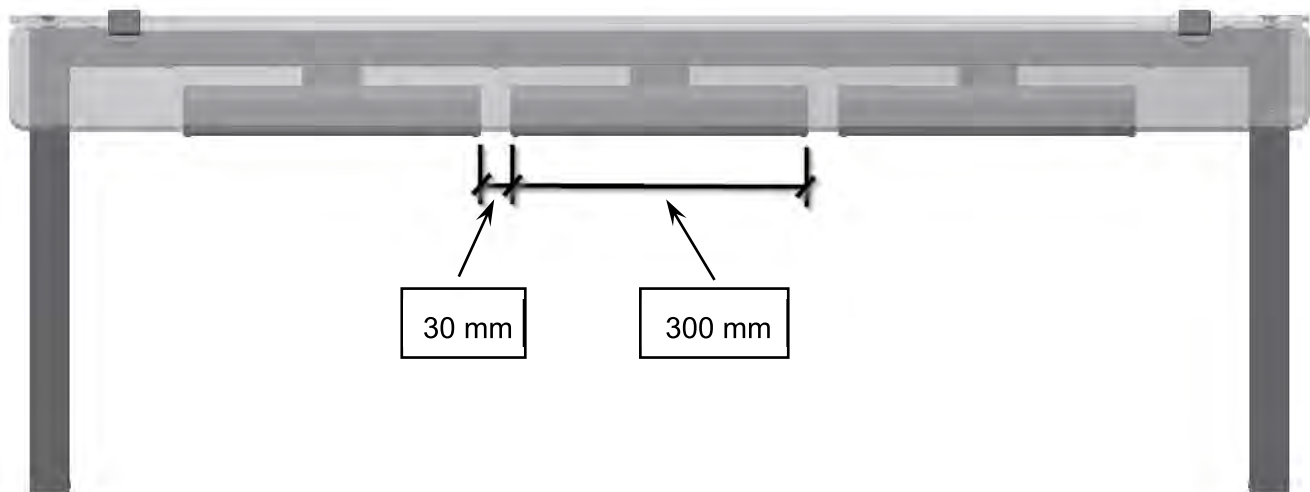


2.2.2 Height of the Bridge

Custom-heights are only possible for bars from B.

2.2.3 Amount of Heating Lamps

The amount of heating lamps can be chosen freely for custom sized bridges. However, there should be a gap of at least 30 mm between two heating lamps. A maximum of 5 heating lamps is possible between 2 bars.



2.2.4 Design Sneeze Guard for Custom Sized Bridges and endless-bridges.

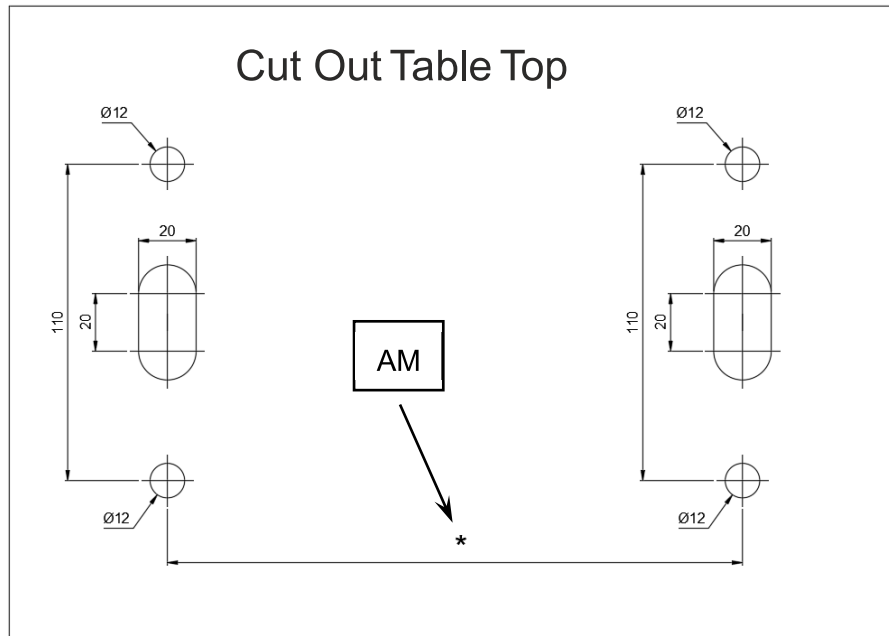
The customer can only chose between the straight forms, form L straight, form U straight, form I straight.

3 Mounting

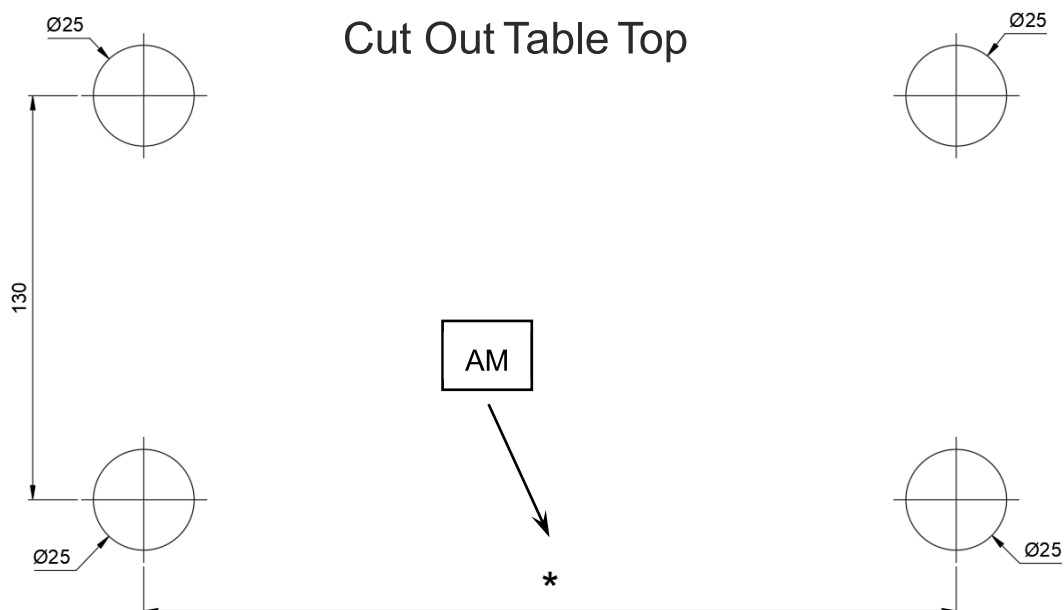
3.1 Mounting of the Bridge

Depending on the type of bar (form A, form B), different cut-outs are required in the table top.

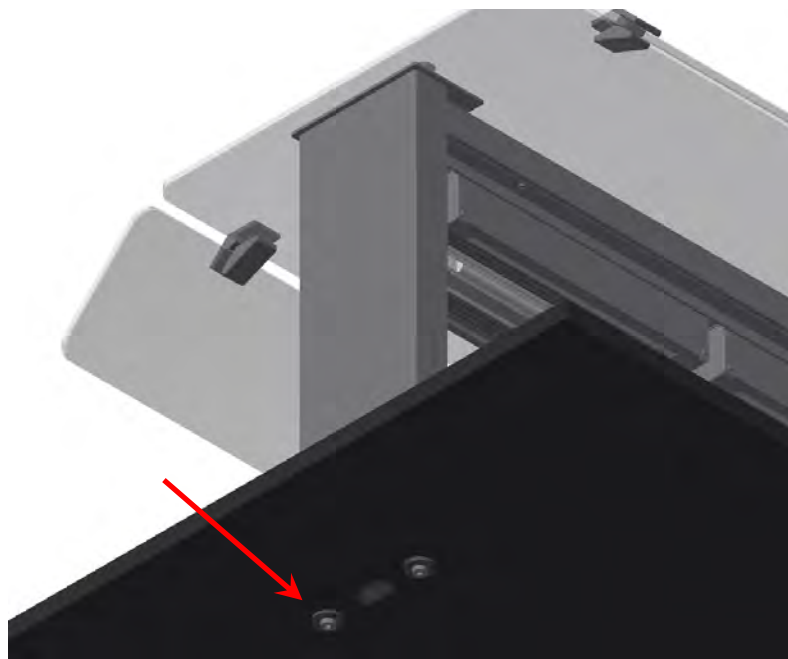
Shape A



- Form B



The mounting on the table top takes place with screws and shims. The screws (M8x80) which are delivered with the bridges are suitable for table top plates with a thickness of up to 70 mm.

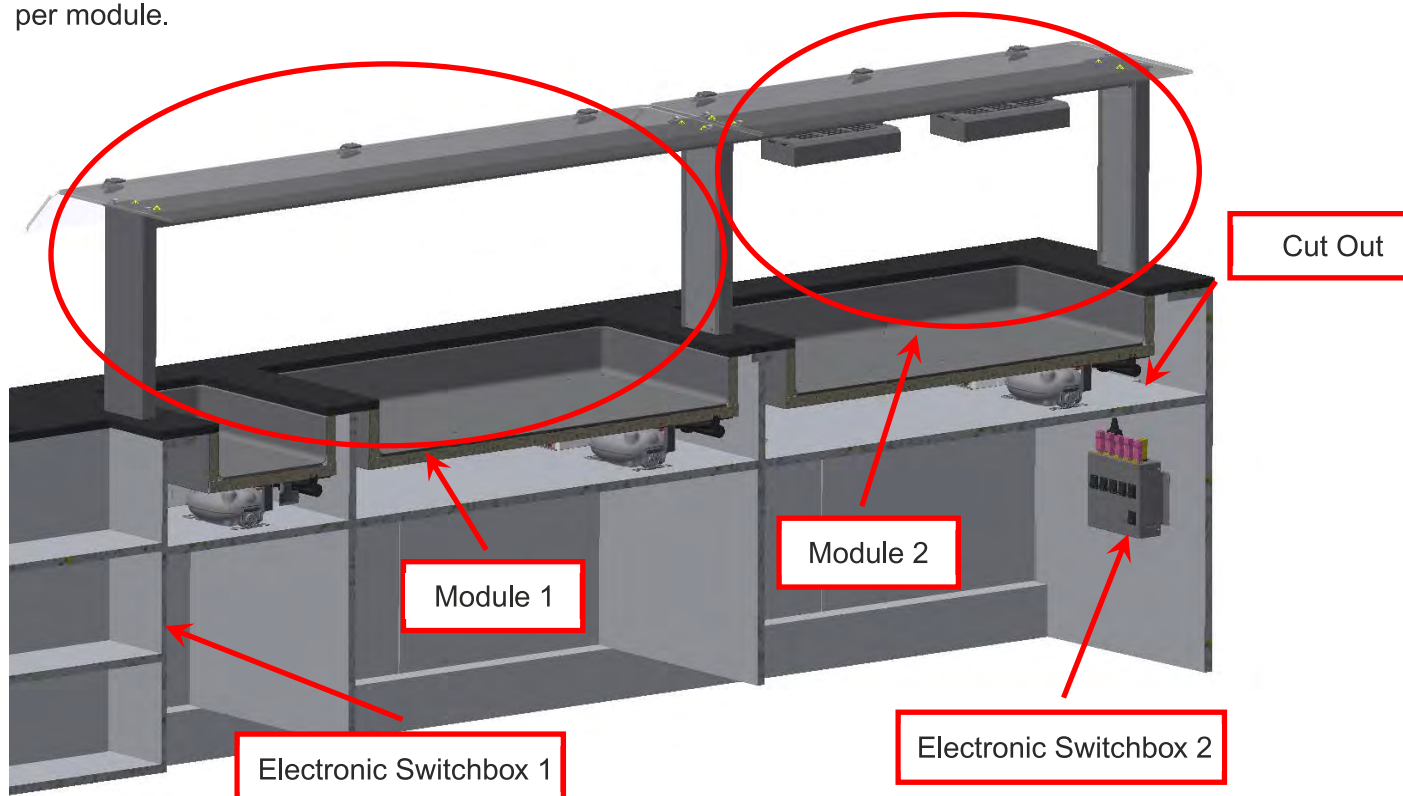


3.2 Electronic Switchbox

An electrical switch box is installed to control light or the heating lamps. Enough space has to be provided for this, underneath the bridge (see picture - acc. Dimensions of the switchbox).

A cut out can also be required for the cables.

Endless-Bridges (with two or more modules with middle bars) are delivered with one electro switchbox per module.



4 Order Process

Possible Order Schema:

- Standard Bridge
 1. Design bar: Form A, Form B
 2. Design Sneeze Guard: Form L straight, Form L curved, Form U straight, Form U curved, Form I
 3. Type of Bridge: Light Bridge, Heating Bridge along, Heating Bridge across
 4. Dimensions: GN1, GN2, GN3, GN4

- Custom-Bridge
 1. Design bar: Form A, Form B
 2. Design Sneeze Guard: Form L straight, Form U straight, Form I
 3. Type of Bridge: Light Bridge, Heating Bridge along, Heating Bridge across
 4. Dimensions: Dimension of Axes, if over 1700 mm - amount of middle bars?
(if it differs: height and width dimensions)
 5. Amount of Heating Lamps per Module

A hand-drawn, Auto-CAD, ... if available would be very helpful.